

Description

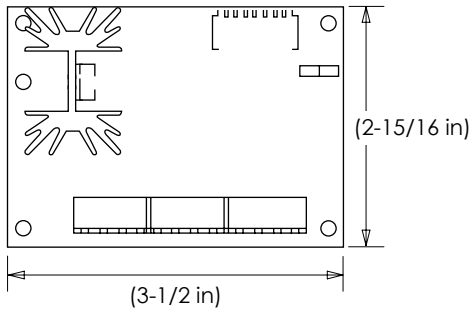
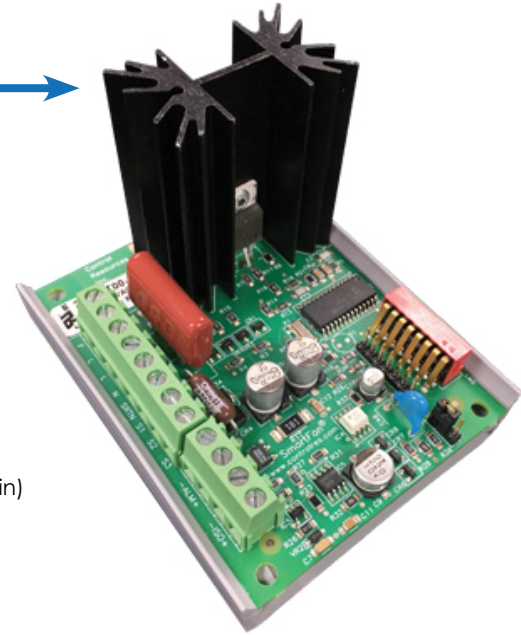
ZOO Fans' Advanced Variable Speed Controller is a Triac based microprocessor controller designed specifically to integrate the control of ZOO Fans with most Building Automation Systems (BAS), or with a potentiometer.

Typical Specifications

Controller shall be a TRIAC based microprocessor controller with a 0-10 VDC or 4-20 mA input control signal. Controller must not require a separate low voltage power source for control signal. Controller must mount on standard 35mm DIN Rail. Controller must have a configuration option to automatically shut off when no input control signal exists. Controller must have a configuration option for manual control via a 10k Ohm potentiometer.

TouchScreen

Advanced Variable Speed 7.5A Controller



Dimensions include DIN Rail adapter

Controller

Type	Triac Based Microprocessor
Mounting	DIN Rail
Dimensions	2.9inL X 3.5inW X 3.3inH (Dimensions include DIN Rail adapter)
Input	120V
Amps	7.5A

Speed Controllers

Part #	Description	Quantity
AVS-7.5A- <u> </u>	120V	
	Control Methods:	
AVS-7.5A-BAS	BAS, 0-10VDC or 4-20mA Analog Control Signal	
AVS-7.5A-MAN	10k Potentiometer	

Electrical Table

Mounting	Standard 2 X 4 Job Box
Control Capabilities	On/Off, 0-10VDC or 4-20mA

Certifications

Control Resources SmartFan Nimbus, UL recognized to UL508, CSA-C22.2, File E100344

Project

Job Name:		Date:	
Job Address:			
City:		State:	
Architect:			
Engineer:			
Contractor:			
Comments:			