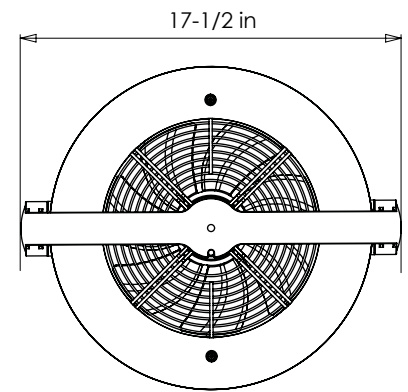


Side View



Top View

Typical Specifications

Destratification fan with airflow of 655 CFM at full speed that operates with a variable speed controllable, electronically commutated (EC) motor. Must have fire resistant enclosure and multifunctional air guide with aerodynamic vanes to tighten the air column and increase throw. Cannot have exposed blades like a traditional ceiling fan. Must have integrated motor controller with a wide range of control input options, including 0-10VDC, potentiometer and PWM. Must include a 200-pound safe working load main cable attachment system and a separate stabilization / safety tether.

Installation Hardware Included

- 8 ft cable with fast-locking Gripple® and attachment hardware. Cable rated at 200 lb. safe working load with a 5:1 safety factor, UL Listed.
- 12 ft stabilization tether with fast-locking Gripple and attachment hardware. Cable rated at 100 lb. safe working load with a 5:1 safety factor, UL Listed.

Warranty

- 4-Year Parts

Specifications

Model	Volts	Amps	Quantity
H25-AC115._._	115	0.5	
H25-AC230._._	230	0.6	

Color

Model	Color	Quantity
H25-EC.W	Off-White <input type="radio"/>	
H25-EC.B	Black <input checked="" type="radio"/>	

Controllers

Model	Description	Quantity
Manual Control Options:		
VS-10KPOT	10K Potentiometer	
AVS-EC-MAN	Manual LED User Interface	
Automatic Control Options:		
AVS-EC-AUTO	Automatic: User Interface, 2 Temperature Sensors	
BAS Control Configuration:		
Default	0 - 10VDC Analog Control	

Motor

Type	Electrically Commutated (EC)
Drive	Direct Drive
Bearings	Sealed, Lifetime Lubricated
Protection	Thermal Overload Protection

Electrical

Volts	115	230
Hz	50/60	50/60
Watts	57	57
Amps	1.2	0.6

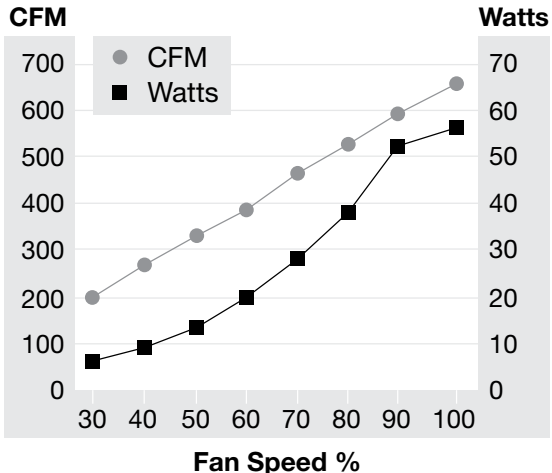
Housing

Type	UV Treated, Flame Resistant Plastic
Construction	Durable Double-Wall
Design	Multifunctional Air Guide + Aerodynamic Vanes
Protection	Intake Safety Grill

Weight

Volts	LBS	KG
Hanging	20	9.1
Shipping	26	11.8

Fan Speed vs CFM and Power Usage



Performance

CFM	655
RPM	2150

Sound Level Calculations

Hanging Height	dBA*
20 feet	55.3
25 feet	53.4
30 feet	51.8

*based on non-reflective area

Certifications

Sound measurements in accordance with ISO 13347

Project					Comments					
Job Name:					Date:					
Job Address:										
City:				State:			Zip:			
Architect:										
Engineer:										
Contractor:										