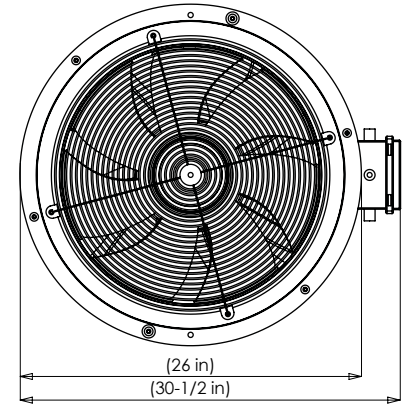


Side View



Top View

Typical Specifications

Destratification fan with airflow of 5400 CFM at full speed that operates with a variable speed controllable, electronically commutated (EC) motor. Must have 12-gauge steel enclosure and cannot have exposed blades like a traditional ceiling fan. Blades will have a serrated trailing edge and winglet and shall be constructed of high-performance composite, uncoated material. Fan shall contain a multi-functional air guide with 11 aerodynamic vanes that produces a tighter air column and significantly increases throw. Must have integrated motor controller with a wide range of control input options, including 0-10VDC, MODBUS RTU, potentiometer and PWM. Integrated controller shall indicate under / over voltage by LED light and provide status reporting via MODBUS. Must include two 200-pound safe working load cable attachment systems and two additional attachment points for rigid / all-thread rod (not included).

Installation Hardware Included

- Two (2) high-strength 12 ft cables with locking hook, Gripple® and attachment hardware. Each cable offers 200 lb. safe working load with a 5:1 safety factor, UL Listed.

Warranty

- 4-Year Parts

Specifications

Model	Volts	Amps	Quantity
H140-EC	230	3.6	

Color

Model	Color	Quantity
H140-EC.G._	Gray ●	
H140-EC.C._	Custom Colors Available*	

Control Configuration

Model	Color	Quantity
H140-EC._MAN	Manual (see options below)	
H140-EC._BAS	Building Automation System (see options below)	

Controllers

Model	Description	Quantity
Manual Control Options:		
H140-EC._MAN		
<i>Manual Default:</i>	0-10VDC Analog Control	
	Additional Manual Control Options:*	
VS-10KPOT	Manual, 10K Potentiometer	
AVS-EC-AUTO	Automatic, User Interface, 2 Temperature Sensors	
BAS Control Configuration:		
H140-EC._BAS		
<i>BAS Analog Default:</i>	0-10VDC Analog Control	
H140-EC._BAS.DIG		
<i>BAS Digital Default:</i>	MODBUS enabled control	
	Additional BAS Digital Control Options:*	
BAS-MPI	Multiple Protocol Interface BACnet MS/TP, BACnet IP, LonWorks, Metasys N2	
BAS-WCC	Wireless Control Center with Web-Interface	

Motor

Type	Electrically Commutated (EC)
Drive	Direct Drive
Bearings	Sealed, Lifetime Lubricated
Protection	Active protection for thermal overload, locked/blocked rotor, and over/under voltage

Electrical

Volts	230
Hz	50/60
Watts	560
Amps	3.6

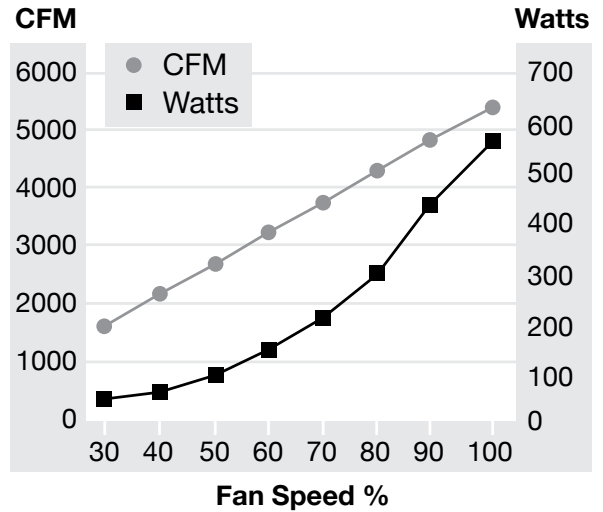
Housing

Type	12-Gauge Steel
Construction	Cold Rolled
Design	Multifunctional Air Guide
Protection	Intake Safety Grill

Weight

Volts	LBS	KG
Hanging	93	42.3
Shipping	145	65.8

Fan Speed vs CFM and Power Usage



Performance

CFM	5400
RPM	1440

Sound Level Calculations

Hanging Height	dBA*
100 feet	39.3
120 feet	37.8
140 feet	36.4

*based on non-reflective area

Certifications

ETL Listed in USA. Conforms to UL Standard 507. Sound measurements in accordance with ISO 13347

Project

Comments

Job Name:				Date:		
Job Address:						
City:		State:		Zip:		
Architect:						
Engineer:						
Contractor:						