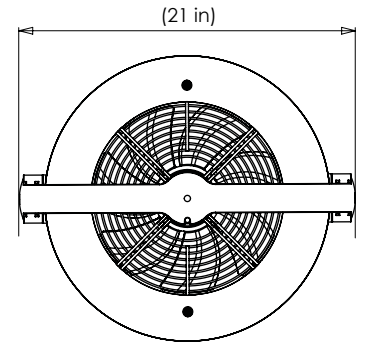


Side View



Top View

## Typical Specifications

Destratification fan with airflow of 1200 CFM at full speed that operates with a variable speed controllable, externally wound motor. Must have fire resistant enclosure and multifunctional air guide with aerodynamic vanes to tighten the air column and increase throw. Cannot have exposed blades like a traditional ceiling fan. Blades will have a serrated trailing edge and winglet and shall be constructed of high-performance composite, uncoated material. Must be variable speed controllable from an analog controller via a 0-10 VDC or 4-20 mA control signal, or a direct in-line speed controller. Must include a 200-pound safe working load main cable attachment system and a separate stabilization / safety tether.

## Installation Hardware Included

- 8 ft cable with fast-locking Gripple® and attachment hardware. Cable rated at 200 lb. safe working load with a 5:1 safety factor, UL Listed.
- 12 ft stabilization tether with fast-locking Gripple and attachment hardware. Cable rated at 100 lb. safe working load with a 5:1 safety factor, UL Listed.



## Warranty

- 3-Year Parts

## Specifications

Model	Volts	Amps	Quantity
H60-AC115-_-_-	115	0.44	

## Color

Model	Color	Quantity
H60-_-W_-	Off-White 	
H60-_-B_-	Black 	

## Option

Model	Color	Quantity
H60-_-_-C	6' Cord, 3-Prong Plug	
	Additional Option*	
H60-_-_-G	Exhaust Safety Grill	

## Speed Controllers

Part #	Description	Quantity
VS-5A-115V	Variable Speed 5 Amp 115V Controller	
VS-10A-115V	Variable Speed 10 Amp 115V Controller	
AVS-7.5A-_-	Advanced Variable Speed 7.5 Amp Controller Auto-Detect 95V-250V	
	Control Methods:	
AVS-7.5A-BAS	BAS, 0-10VDC or 4-20mA Analog Control Signal	
AVS-7.5A-MAN	Manual, 10K Potentiometer	
AVST-_-_-	Advanced Variable Speed Transformer	
	Voltage:	
AVST-115V-10A-_-	115V          10 Amp	
	Control Methods:	
AVST-_-_-BAS	BAS, 0-10VDC Analog Control Signal	
AVST-_-_-MAN	Manual, User Interface	
AVST-_-_-AUTO	Automatic, User Interface, 2 Temperature Sensors	

### Motor

Type	Permanent Split Capacitor (PSC)
Drive	Direct Drive
Bearings	Sealed, Lifetime Lubricated
Protection	Thermal Overload Protection

### Electrical

Volts	115
Hz	60
Watts	104
Amps	0.95

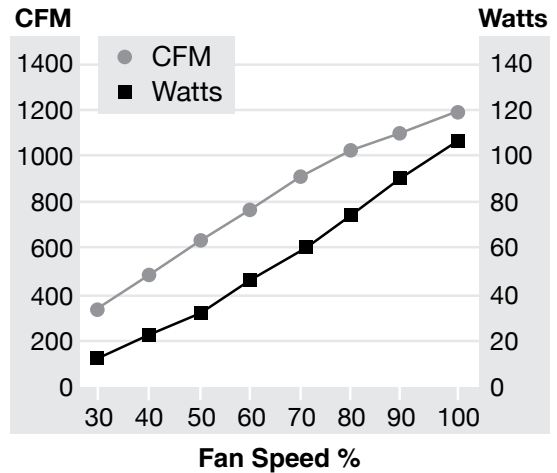
### Housing

Type	UV Treated, Flame Resistant Plastic
Construction	Durable Double-Wall
Design	Multifunctional Air Guide + Aerodynamic Vanes
Protection	Intake Safety Grill

### Weight

	LBS	KG
Hanging	23	10
Shipping	30	14

### Fan Speed vs CFM and Power Usage



### Performance

CFM	1200
RPM	1360

### Sound Level Calculations

Hanging Height	dBA*
40 feet	40.3
50 feet	38.4
60 feet	36.8

\*based on non-reflective area

## Certifications

ETL Listed in USA and Canada. Conforms to UL Standard 507 and Certified to CAN/CSA Standard CSA C22.2  
 Sound measurements in accordance with ISO 13347

### Project

### Comments

Job Name:				Date:		
Job Address:						
City:		State:		Zip:		
Architect:						
Engineer:						
Contractor:						