

PERFORMANCE DATA

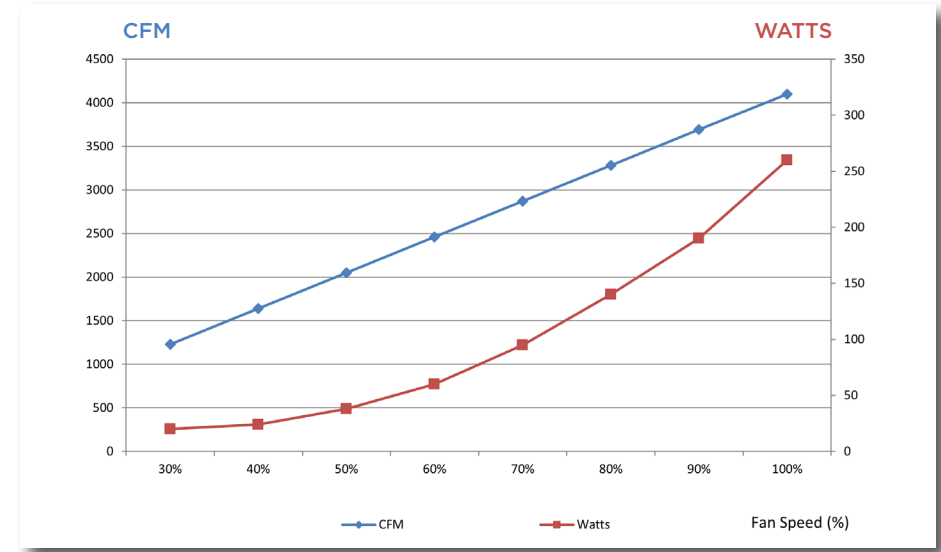


H120-EC
Premium Efficiency
For Open Ceilings Up To 120ft

FAN SPECIFICATIONS

Test results for H120-EC Premium Efficiency Fan using the 208V-277V motor with guard grille on inlet side and air guide installed.

- H120-EC Premium Efficiency
- 230V 60Hz, 260 watts, 1.15A
- 1120 RPM
- Finger Guard Grille on inlet side and Air Guide on outlet side
- Additional metal straightening fins for added throw



DATA TABLE

Fan Speed	Control Signal (V)	Power (V)	CFM	RPM	Watts	Amps	Sound Power (LwA6)
100%	10	211	4100	1120	260	1.15	70
90%	9	211	3690	1008	190	0.84	68
80%	8	211	3280	900	140	0.62	65
70%	7	211	2870	784	95	0.42	61
60%	6	211	2460	670	60	0.30	57
50%	5	211	2050	560	38	0.26	52
40%	4	211	1640	450	24	0.17	47
30%	3	211	1230	336	20	0.10	42

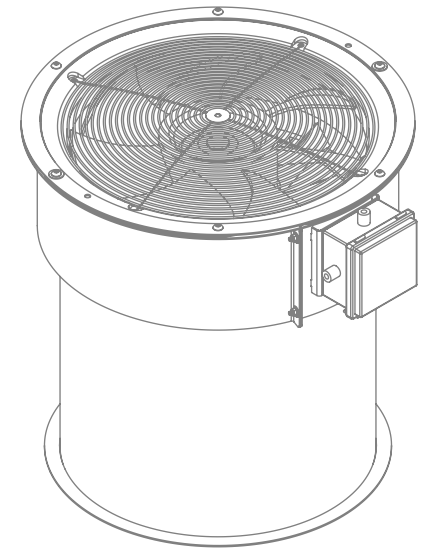
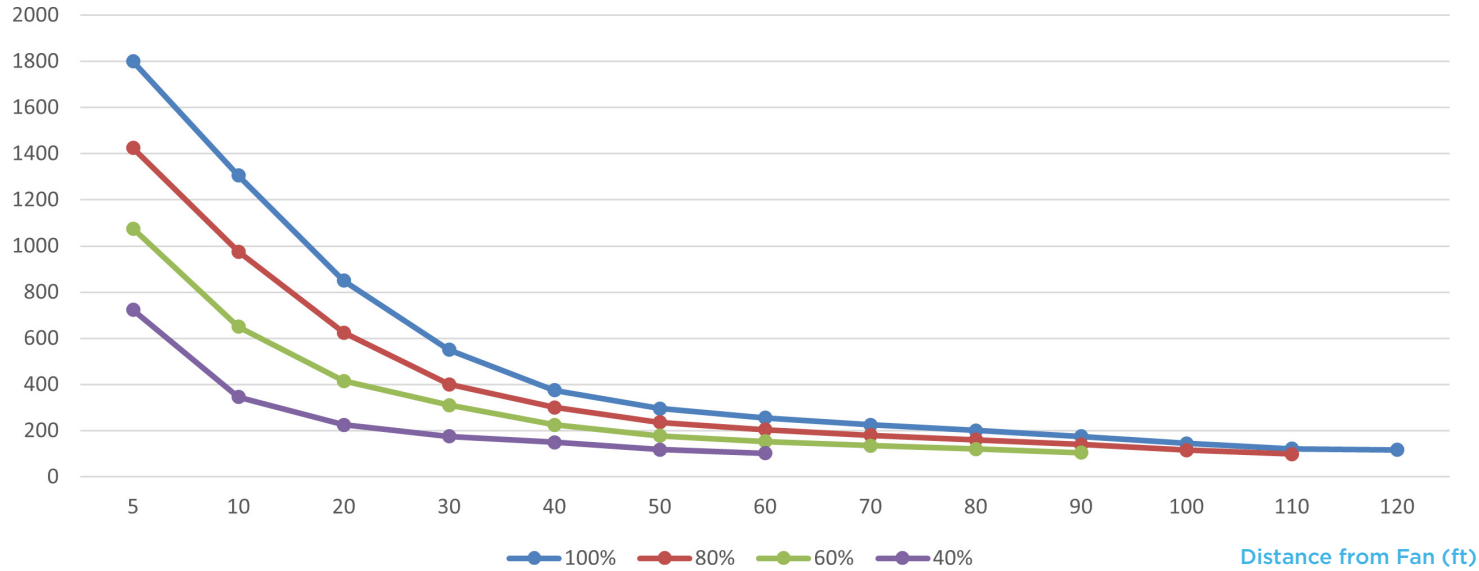
ZOO Fans Corporation
4343 Chavenelle Road
Dubuque, IA 52002

Phone: 303-557-1852
Toll Free: 855-966-3267

zoofans.com

ZOO FANS[®]
Efficiency and Performance

Feet per Minute



100% Fan Speed	
Distance from fan (ft)	Air Speed (ft/min)
5	1800
10	1305
20	850
30	550
40	375
50	295
60	255
70	225
80	200
90	175
100	145
110	122
120	117

80% Fan Speed	
Distance from fan (ft)	Air Speed (ft/min)
5	1425
10	975
20	625
30	400
40	300
50	236
60	204
70	180
80	160
90	140
100	116
110	98

60% Fan Speed	
Distance from fan (ft)	Air Speed (ft/min)
5	1075
10	650
20	415
30	310
40	225
50	177
60	153
70	135
80	120
90	105

40% Fan Speed	
Distance from fan (ft)	Air Speed (ft/min)
5	723
10	345
20	225
30	175
40	150
50	118
60	102