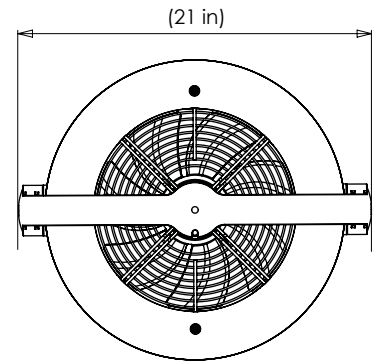


Side View



Top View

Typical Specifications

Destratification fan with airflow of 1250 CFM at full speed that operates with a variable speed controllable, electronically commutated (EC) motor. Must have fire resistant enclosure and multifunctional air guide with aerodynamic vanes to tighten the air column and increase throw. Cannot have exposed blades like a traditional ceiling fan. Must have integrated motor controller with a wide range of control input options, including 0-10VDC, potentiometer and PWM. Must include a 200-pound safe working load main cable attachment system and a separate stabilization / safety tether.

Installation Hardware Included

- 8 ft cable with fast-locking Gripple® and attachment hardware. Cable rated at 200 lb. safe working load with a 5:1 safety factor, UL Listed.
- 12 ft stabilization tether with fast-locking Gripple and attachment hardware. Cable rated at 100 lb. safe working load with a 5:1 safety factor, UL Listed.

Warranty

- 4-Year Parts

Specifications

Model	Volts	Amps	Quantity
H50-EC_	230	0.87	

Color

Model	Color	Quantity
H50-EC.W	Off-White <input type="radio"/>	
H50-EC.B	Black <input type="radio"/>	

Controllers

Model	Description	Quantity
Manual Control Options:		
VS-10KPOT	10K Potentiometer	
AVS-EC-MAN	Manual LED User Interface	
Automatic Control Options:		
AVS-EC-AUTO	Automatic: User Interface, 2 Temperature Sensors	
BAS Control Configuration:		
Default	0 - 10VDC Analog Control	

Motor

Type	Electronically Commutated (EC)
Drive	Direct Drive
Bearings	Sealed, Lifetime Lubricated
Protection	Thermal Overload Protection

Electrical

Volts	115	230
Hz	50/60	50/60
Watts	89	89
Amps	1.74	0.87

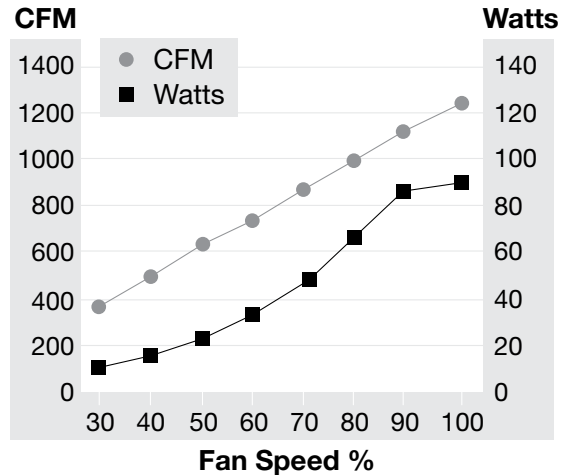
Housing

Type	UV Treated, Flame Resistant Plastic
Construction	Durable Double-Wall
Design	Multifunctional Air Guide + Aerodynamic Vanes
Protection	Intake Safety Grill

Weight

Volts	LBS	KG
Hanging	25	11.3
Shipping	32	14.5

Fan Speed vs CFM and Power Usage



Performance

CFM	1250
RPM	1850

Sound Level Calculations

Hanging Height	dBA*
35 feet	50.5
45 feet	48.3
55 feet	46.5

*based on non-reflective area

Certifications

Sound measurements in accordance with ISO 13347

Project

Comments

Job Name:				Date:		
Job Address:						
City:		State:		Zip:		
Architect:						
Engineer:						
Contractor:						