

# PRODUCT DATA

## IC20-EC

High Efficiency  
For Open Ceilings Up To 20ft

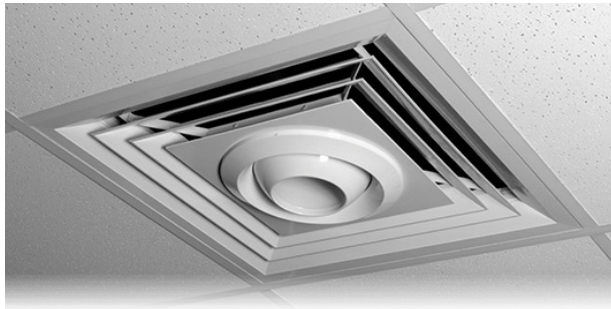
REDUCED CARBON FOOTPRINT

LOWER OPERATING COSTS

INCREASED COMFORT

LESS RUN TIME

FAST PAYBACK



### Combination Diffuser

This diffuser combines a 4-way louvered intake with a jet ball return. The air speed from the jet ball is sufficient to eliminate short-cycling.



### 8 in Jet Ball Diffuser

The Jet Ball diffuser promotes destratification by pulling conditioned air - heated or cooled - from the ceiling, and directing it to the floor in a column of air.



**ZOO Fans®** energy-efficient fans in-ceiling fans improve air circulation in spaces with drop ceilings, and in spaces with hard ceilings that have accessible space above. The IC20-EC is effective both as a destratification fan, and as an in-ceiling fan for cooling.

**Operates independently of existing HVAC systems. Air speed and direction are easily adjusted to fine-tune comfort.**

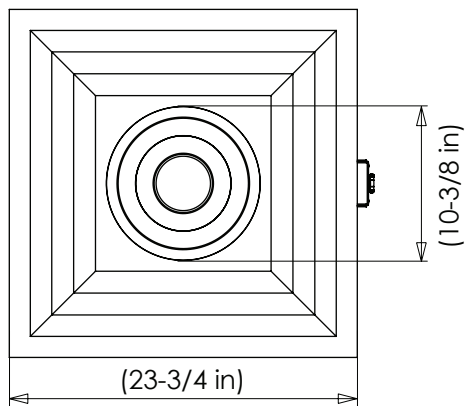
With **no ducting** to connect, the IC20 fan is **fully self-contained** and fits right into a 2 ft x 2 ft grid ceiling. A dedicated plenum ensures there will be no interference with above-ceiling return plenums.

## Motor

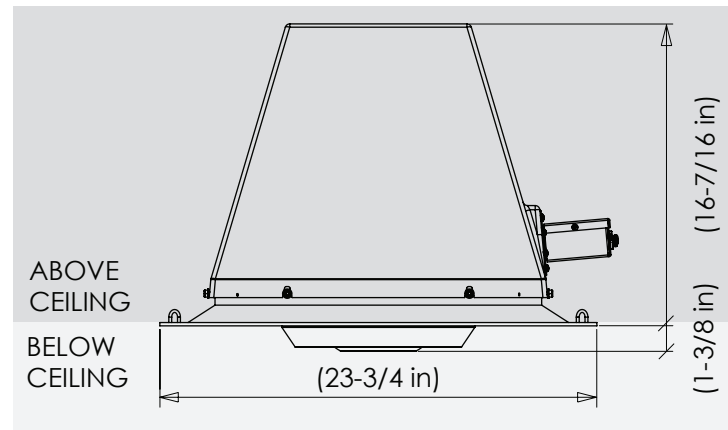
- Electronically Commutated (EC) motor with Mixed-Flow Impeller
- Direct-drive motor with thermal overload protection
- Sealed, lifetime lubricated bearings

## Installation Hardware Included

- Externally-mounted, removable junction box for faster wiring
- Four (4) high-strength 15 ft cables with Gripples® and attachment hardware; each cable offers 100 lb. safe working load with a 5:1 safety factor, UL Listed



Side View



Top View

## Coverage

Each fan covers from 800-1200 sq. ft., depending on the following variables:

- Ceiling height and square footage
- Targeted number of air-turns per hour

## Specifications

Model	IC20 High Efficiency
Volts	115
Hz	60
Watts	75
Amps	1.2
CFM	710

## Diffuser

Type	Combination Return and Supply
Construction	4-Way, Louvered Return Jet Ball Supply Standard
Direction	Supply is Fixed, Return Jet Ball Adjustable Up to 30° Off-Vertical in Any Direction
Color	Off-White

## Fan Speed vs CFM and Power Usage

