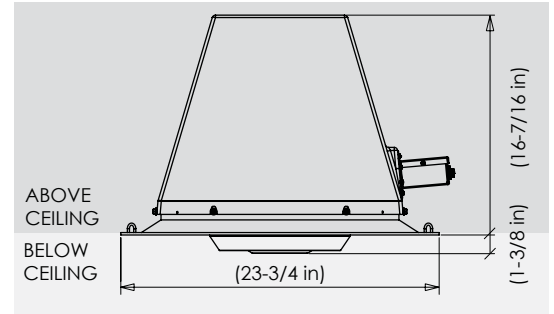


Bottom View



Side View

## Typical Specifications

A variable speed, low profile, in-ceiling fan system with a quiet, energy-efficient EC motor. The combination return and supply diffuser must fit in a standard 24 in X 24 in drop-ceiling grid and the supply must be a jet ball that is adjustable up to 30° off vertical. The fan must produce airflow of 293 CFM at full-speed with a variable-speed controllable, Electronically Commutated motor with a mixed-flow impeller. Must have fire resistant enclosure and cannot have exposed blades like a traditional ceiling fan. Must be variable speed controllable from a 0-10 VDC control signal or a potentiometer. Must include four (4) 100-pound safe working load cable attachment system with external fast-release XP2 Gripples®.

## Installation Hardware Included

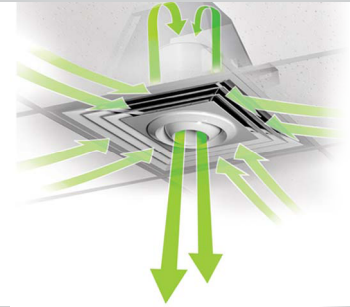
- Four (4) 15 ft support cables with 1/4 in eyelet ends, and XP2 external fast-release Gripples®. Each cable offers 100 lb. safe working load with a 5:1 safety factor, UL Listed.
- Terminal box
- Two (2) strain-relief fittings

## Warranty

- 4-Year Parts

## Airflow Diagram

The fan draws air from all four sides, just below the ceiling. Air is then circulated through a dedicated plenum, and back to the floor through an adjustable jet ball.



## Specifications

Model	Volts	Amps	Quantity
IC20-AC115	115	0.54	

## Color

Model	Color	Quantity
IC20-AC115	White <input type="radio"/>	

## Speed Controllers

Part #	Description	Quantity
VS-5A-115V	Variable Speed 5 Amp 115V Controller	
VS-10A-115V	Variable Speed 10 Amp 115V Controller	
AVS-7.5A-__	Advanced Variable Speed 7.5 Amp Controller	
Control Methods:		
AVS-7.5A-BAS	BAS, 0-10VDC or 4-20mA Analog Control	
AVS-7.5A-MAN	Manual, 10K Potentiometer	
AVST-__-__	Advanced Variable Speed Transformer	
Voltage:		
AVST-115V-10A -__	115V	10 Amp
Control Methods:		
AVST-__-BAS	BAS, 0-10VDC Analog Control Signal	
AVST-__-MAN	Manual, User Interface	
AVST-__-AUTO	Automatic, User Interface, 2 Temperature Sensors	

\*Speed Controllers are not included in base price.

### Motor

Type	Permanent Split Capacitor (PSC) with Mixed-Flow
Drive	Direct Drive
Bearings	Sealed, Lifetime Lubricated
Protection	Thermal Overload Protection

### Diffuser

Type	Combination Return and Supply
Drive	4-Way, Louvered Return Jet Ball Supply
Bearings	Return is Fixed, Jet Ball Supply is Adjustable Up to 30° Off-Vertical in Any Direction

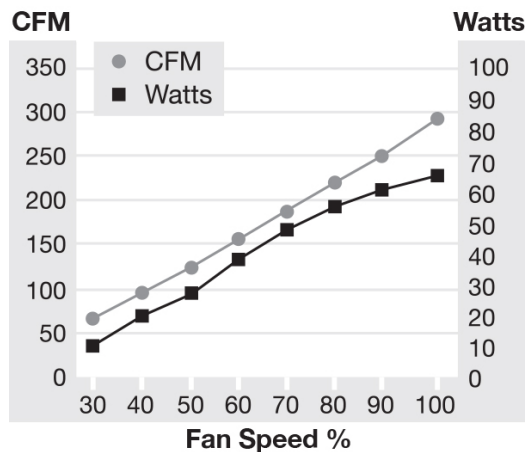
### Motor Housing

Type	Low Profile, In-Line
Construction	Aluminum

### Performance

CFM	293
RPM	2289

### Fan Speed vs CFM and Power Usage



### Electrical

Volts	115
Hz	60
Watts	65
Amps	0.54

## Sound Characteristics

At this time there are no HVI test standards available for measuring sound levels of remote mounted fans. Sound levels are determined by fan distance from the intake source and other miscellaneous factors. It is generally accepted that remote mounted fans are quieter than in-room mounted fans.

### Project

### Comments

Job Name:				Date:		
Job Address:						
City:		State:		Zip:		
Architect:						
Engineer:						
Contractor:						