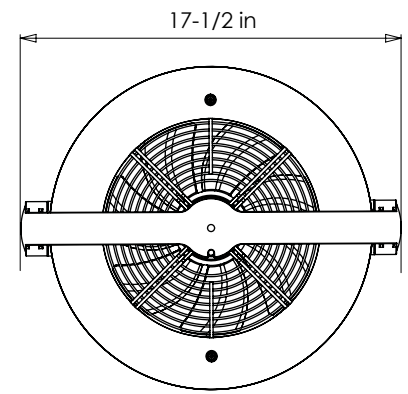


Side View



Top View

Typical Specifications

Destratification fan with airflow of 588 CFM at full speed that operates with a variable speed controllable, externally wound motor. Must have fire resistant enclosure and multifunctional air guide with aerodynamic vanes that produces a tighter air column and significantly increases throw. Cannot have exposed blades like a traditional ceiling fan. Must be variable speed controllable from an analog controller via a 0-10 VDC or 4-20 mA control signal, or a direct in-line speed controller. Must include a 200-pound safe working load main cable attachment system and a separate stabilization/safety tether.

Installation Hardware Included

- 8 ft cable with fast-locking Gripple® and attachment hardware. Cable rated at 200 lb. safe working load with a 5:1 safety factor, UL Listed.
- 12 ft stabilization tether with fast-locking Gripple and attachment hardware. Cable rated at 100 lb. safe working load with a 5:1 safety factor, UL Listed.

Warranty

- 3-Year Parts

Specifications

Model	Volts	Amps	Quantity
H25-AC115._._	115	0.48	

Color

Model	Color	Quantity
H25-AC115.W._	Off-White <input type="radio"/>	
H25-AC115.B._	Black <input type="radio"/>	

Option

Model	Color	Quantity
H25-AC115._.C	6' Cord, 3-Prong Plug	

Speed Controllers

Part #	Description	Quantity
VS-5A-115V	Variable Speed 5 Amp 115V Controller	
VS-10A-115V	Variable Speed 10 Amp 115V Controller	
AVS-7.5A-__	Advanced Variable Speed 7.5 Amp Controller	
	Control Methods:	
AVS-7.5A-BAS	BAS, 0-10VDC or 4-20mA Analog Control Signal	
AVS-7.5A-MAN	Manual, 10K Potentiometer	
AVST-__-__	Advanced Variable Speed Transformer	
	Voltage:	
AVST-115V-10A-__	115V 10 Amp	
	Control Methods:	
AVST-__-BAS	BAS, 0-10VDC Analog Control Signal	
AVST-__-MAN	Manual, User Interface	
AVST-__-AUTO	Automatic, User Interface, 2 Temperature Sensors	

Motor

Type	Permanent Split Capacitor (PSC)
Drive	Direct Drive
Bearings	Sealed, Lifetime Lubricated
Protection	Thermal Overload Protection

Electrical

Volts	115
Hz	60
Watts	55
Amps	0.48

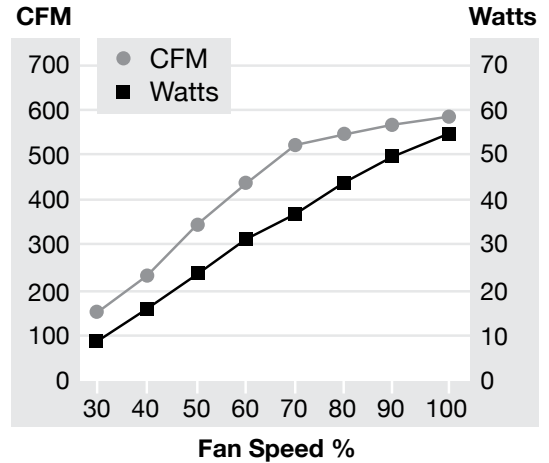
Housing

Type	UV Treated, Flame Resistant Plastic
Construction	Durable Double-Wall
Design	Multifunctional Air Guide + Aerodynamic Vanes
Protection	Intake Safety Grill

Weight

Volts	LBS	KG
Hanging	15	7
Shipping	22	10

Fan Speed vs CFM and Power Usage



Performance

CFM	588
RPM	1641

Sound Level Calculations

Hanging Height	dBA*
15 feet	40.8
20 feet	38.3
25 feet	36.4

*based on non-reflective area

Certifications

ETL Listed in USA and Canada. Conforms to UL Standard 507 and Certified to CAN/CSA Standard CSA C22.2
 Sound measurements in accordance with ISO 13347

Project

Comments

Job Name:				Date:		
Job Address:						
City:		State:		Zip:		
Architect:						
Engineer:						
Contractor:						